

Amphenol®



Saguaro Junction Box™

The Saguaro Junction Box™ is engineered to meet the rigorous demands of the solar industry while offering exceptional design versatility. With its standardized 3-box configuration, it is perfectly optimized for high-efficiency automated assembly and scalable to handle even the largest solar panel installations. The design incorporates advanced thermal management technology, ensuring superior heat dissipation and enhanced temperature cycling performance.

This junction box also features customizable diode configurations tailored to meet the precise requirements of any photovoltaic (PV) panel, ensuring maximum electrical safety and performance. Amphenol offers a comprehensive selection of diodes with various current ratings to provide optimal protection and efficiency. When paired with Amphenol's H4 connector range, the performance of the Saguaro Junction Box™ reaches new heights. These high-performance PV connectors not only exceed industry standards but also deliver unparalleled reliability and reduced power loss, ensuring the best possible performance for your solar power system.

Features:

- High Voltage Rating: 1500V (UL & TÜV)
- Versatile Current Handling: 20A, 25A, 30A, and 35A
- Robust Sealing: The potting sealing type offers excellent protection against environmental factors
- Flexible Diode Options: The availability of multiple diode types allows for customization based on specific electrical needs and performance requirements.
- Wide Temperature Range: With an operating temperature range from -40°C to +85°C, the junction box can function effectively in diverse climates and conditions.
- Certified Safety: The Saguaro Junction Box is IEC and UL certified (IEC Certified No. B1072010007, UL Certified No. E346053), ensuring compliance with international safety standards and instilling confidence in quality and safety.
- Customizable Cable Length: The cable length can be tailored to customer needs, offering convenience and adaptability for various installation requirements.

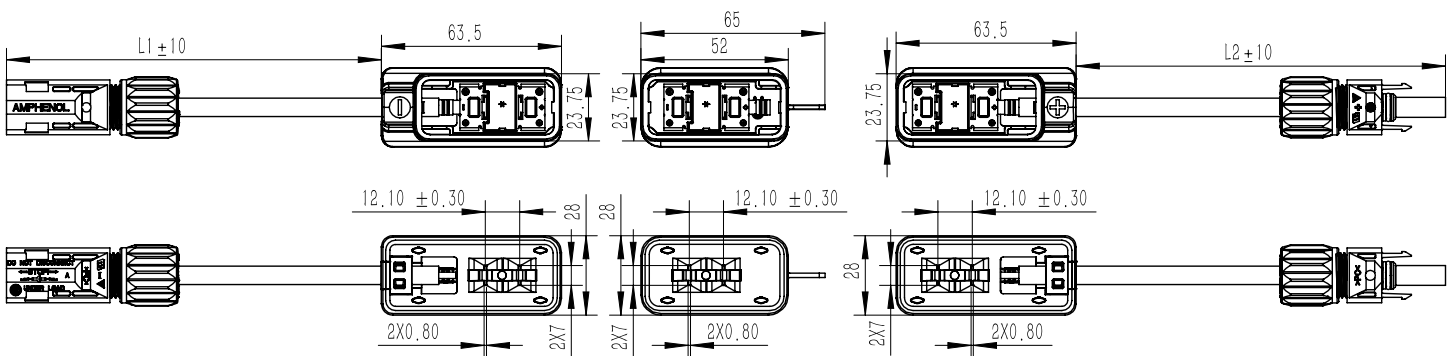


Technical Data		Technical Data	
Junction Box		PV Wire	
Rated Voltage	1500V (UL&TUV)	IEC/UL Certified	Y
Rated Current	20A / 25A / 30A / 35A	Conductor Size	4mm ²
Sealing Type	Potting	Cable Length	Up to customer needs (mm)
Option of Diode Type	MK3045 / MK4045 / MK5045 / MK8045	Rated Voltage	1000 / 2000V
Ribbon Range	< 7mm	Diode	
Ribbon Pitch	12.1mm	Average Rectified Output Current	30A/40A/50A/80A
Box Size (L x W x T)	63.5 * 28 * 14.5mm	Junction Temperature	-55 ~+200°C
Temperature Range	-40°C to +85°C	Peak Reverse Voltage	45V(VRRM)
Safety Class	Class/II	Connector	H4/H4 PLUS/H4 PRO/MC4/EVO2
Connection Method	Soldering		
Insulation Material	PPE		
Contact Material	Copper Tin Plating		
Degree of Protection	IP68 (1m,1H Mated)		
IEC Certified No.	B1072010007		
UL Certified No.	E346053		

How to Order a Saguaro Junction Box™ (please choose one code per position, below)

1	2		3		4
Product Line	Diode Type		Connector Type		Cable Length (mm)
HBAB	D	25A	F	MC4	Example: 0500 equals 500mm cable length, 1200 equals 1200mm cable length
	E	20A	G	H4	
	K	30A	H	H4 Plus	
	J	35A	J	MC4-EV02	

HBABEG0600: Saguaro Junction Box: 20 amp diode: H4 connector: 600mm cable length



Notice: Specifications are subject to change without notice. Contact your nearest Amphenol Corporation Sales Office for the latest specifications. All statements, information and data given herein are believed to be accurate and reliable but are presented without guarantee, warranty, or responsibility of any kind, expressed or implied. Statements of suggestions concerning possible use of our products are made without representation or warranty that any such use is free of patent infringement and are not recommendations to infringe any patent. The user should assume that all safety measures are indicated or that other measures may not be required. Specifications are typical and may not apply to all connectors.

North America:
Amphenol Industrial Operations
482 N. Mariposa Rd, Bldg. A
Nogales, AZ 85621
Tel: (888) 364-9011
Fax: (520) 285-5134
Email: tech@amphenol-aio.com

Europe:
Amphenol Industrial Operations Europe
Via Barbaiana 5
1-20020 Lainate (MI) Italy
Tel: +39 02 93254.204
Fax: +39 02 93254.444
Email: info@amphenol-aio.com

Middle East:
Amphenol Middle East Enterprises FZE
Office C-37 PO Box 21107
Ajman Free Zone, UAE
Tel: +9 716-7422494
Fax: +9 716-7422941
Email: jhussain@amphenol-industrial.com

Asia:
Amphenol Technology (Shenzhen) Co., Ltd.
Building C, 2nd Industrial Zone of XIA Shi Jia
Gongming Sub-district, Guangming New-district
Shenzhen, China 518106
Tel: +86 755-29918389
Email: tech@amphenol-industrial.com