

## AutoLok Connector

Plastic housing: thermoplastics orange color  
 Contacts: copper alloy, silver plating

### Specifications

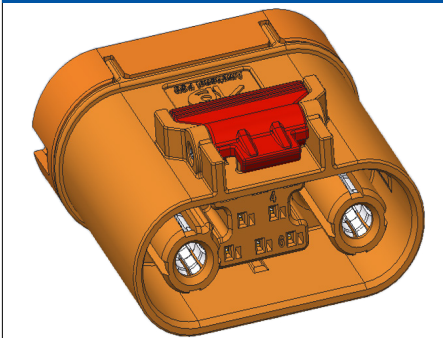
Current Rating:	Maximum: 80A
	Minimum: 40A
Voltage Rating:	900V DC, 600V AC
Wire Range:	6mm <sup>2</sup> to 16mm <sup>2</sup>

Operating temperature:	-40 to 105°C
Ambient temperature:	-40 to 50°C
Mating cycles:	3000
Waterproof (mated):	IP X7

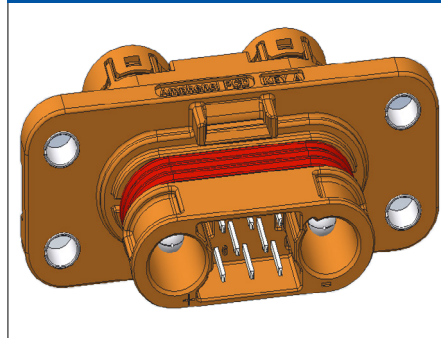
Cable Size	Cable OD	Female Contact	Male Contact	Current Rating
6mm <sup>2</sup> cable	4.00 - 4.3	C3100235021	C3100235011	40A
10mm <sup>2</sup> cable	5.30 - 6.00	C3100235021	C3100235011	60A
16mm <sup>2</sup> cable	6.40 - 7.20	P03BS00081	P03BS00080	80A

### Type 1: Wall-mount

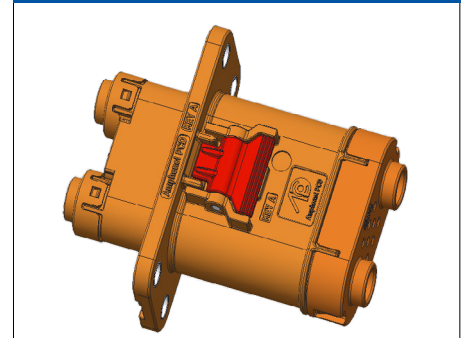
PLUG



RECEPTACLE

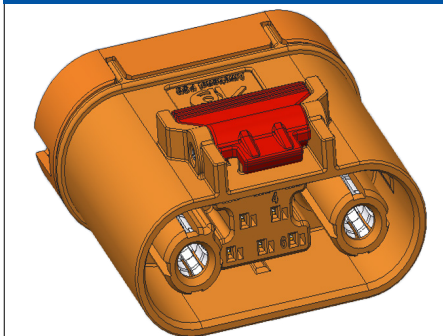


MATED VIEW

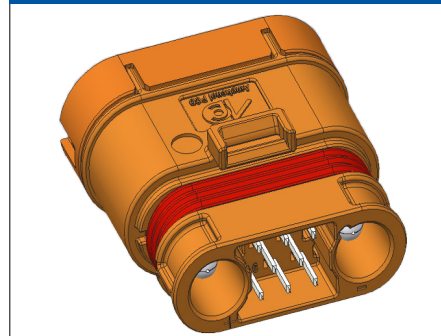


### Type 2: Inline

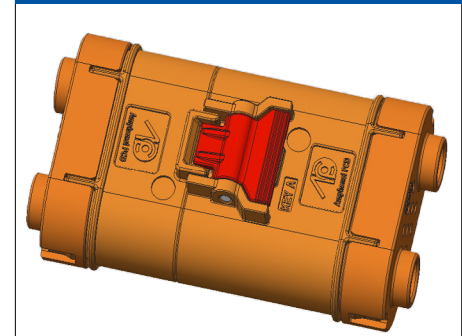
PLUG



RECEPTACLE



MATED VIEW



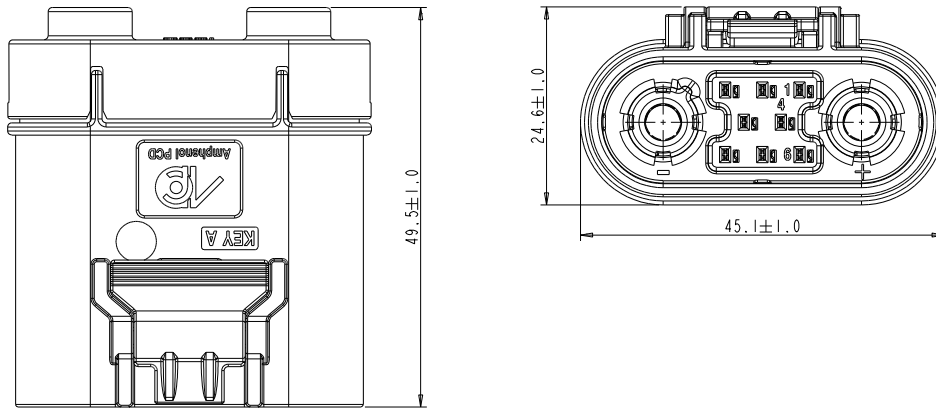
## AutoLok Connector

## WALL-MOUNT

LXXXX

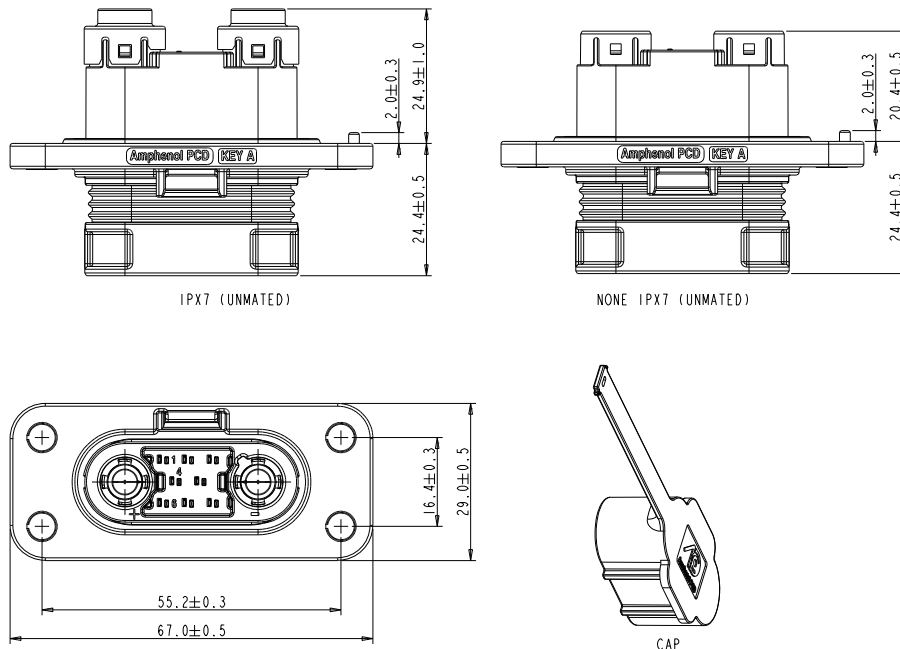
Cable Length:  
0 to 1000mm  
1000 to 5000mm  
> 5000mm

### Dimensions - Plug



AL4000	62	XX	X	XX
Product type: Plug (180)	Signal Pin: 04: 4 PIN 05: 5 PIN 06: 6 PIN 07: 7 PIN 08: 8 PIN	Coding: A: KEY A B: KEY B	Wire Specification: 06: 6mm <sup>2</sup> 10: 10mm <sup>2</sup> 16: 16mm <sup>2</sup>	

### Dimensions - Receptacle



AL4000	22	F	XX	X	XX	X	X
Product type: Receptacle	Mounting: F: Front Mounting	Signal Pin: 04: 4 PIN 05: 5 PIN 06: 6 PIN 07: 7 PIN 08: 8 PIN	Coding: A: KEY A B: KEY B	Wire Specification: 06: 6mm <sup>2</sup> 10: 10mm <sup>2</sup> 16: 16mm <sup>2</sup>	IP Rate: 0: None 1: IPX7 (unmated)	Protection Cap: 0: Without 1: With	

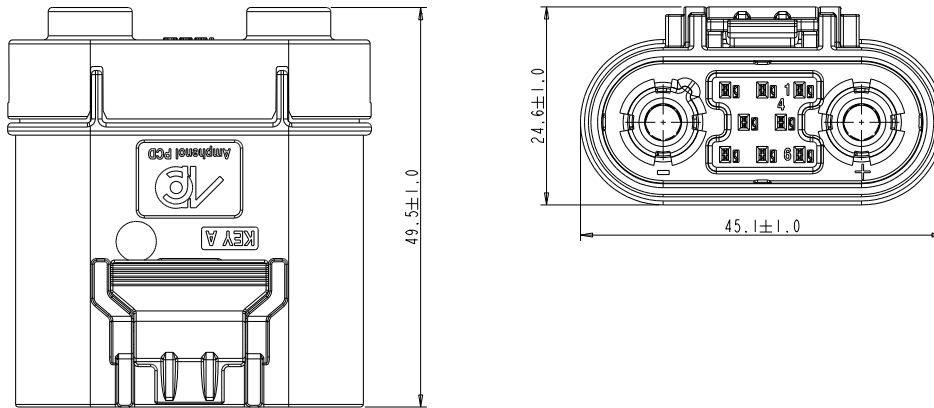
## AutoLok Connector

## INLINE

LXXXX

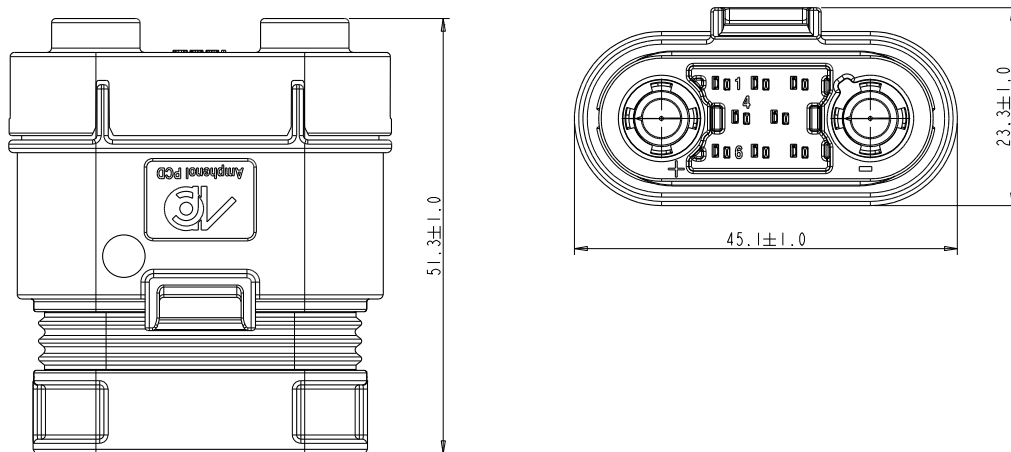
Cable Length:  
0 to 1000mm  
1000 to 5000mm  
> 5000mm

### Dimensions - Plug



AL4000	62	XX	X	XX
Product type: Plug (180)	Signal Pin: 04: 4 PIN 05: 5 PIN 06: 6 PIN 07: 7 PIN 08: 8 PIN	Coding: A: KEY A B: KEY B	Wire Specification: 06: 6mm <sup>2</sup> 10: 10mm <sup>2</sup> 16: 16mm <sup>2</sup>	

### Dimensions - Socket



AL4000	22	L	XX	XX
Product type: Socket	Mounting: L: Inline	Signal Pin: 04: 4 PIN 05: 5 PIN 06: 6 PIN 07: 7 PIN 08: 8 PIN	Wire Specification: 06: 6mm <sup>2</sup> 10: 10mm <sup>2</sup> 16: 16mm <sup>2</sup>	